

# Butterfly Valve

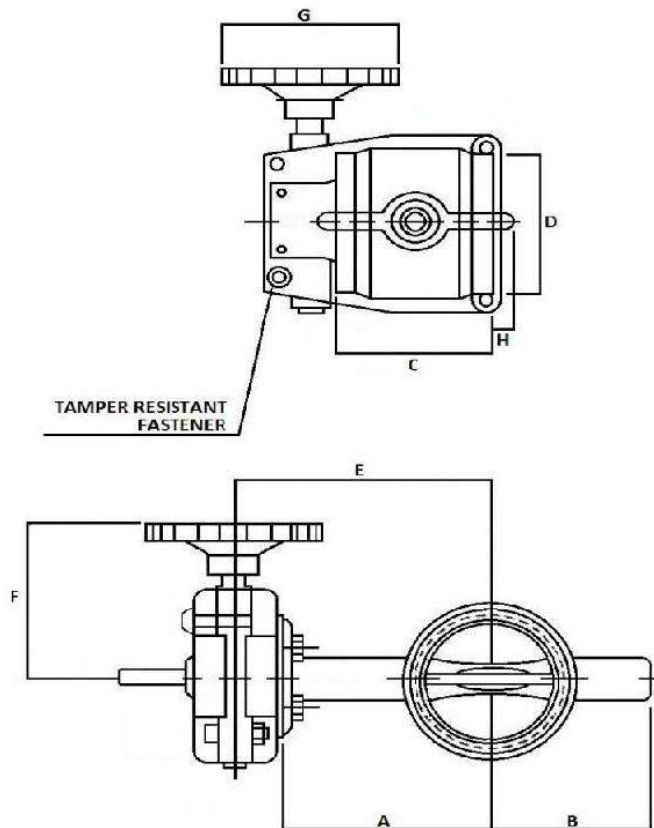
The Lansdale International Butterfly Valve is pressure Rated for 300psi, UL Listed and FM Approved for use on indoor and outside applications.



UL & ULC Listed, FM Approved.



## Grooved End(2-1/2" Through 8")



**G : DISC CLEARANCE OF BODY SURFACE THROUGH END OF DISC IN THE OPEN POSITION**

## Specifications

Working Pressure	300 psi
Max. Test Pressure	600 psi
Max. Working Temp	250 Degrees F°
Factory installed UL Listed double tamper switch for indoor and Outdoor use.	

## Materials of Components

Body	: ASTM A- 538 Nylon-11 Coated
Disc	: ASTM A-536 EPDM Encapsulated
Upper and Lower Stem	: AISI420-SS
Worm Gear Shaft	: AISI420-SS
Housing	: ASTM A-536
Hand Wheel	: ASTM A-536
Flag Indicator	: ASTM A-536
Shear Pin	: ASTM A-510
Segment Gear	: ASTM B-148 or B-584
Housing Gasket	: EPDM Grade E
O-Rings (All)	: EPDM Grade E

## Dimensions

Size	A	B	C	D	E	F	G	H
2 1/2	4.13	3.30	3.80	2.87	5.31	5.04	5.04	
3	4.41	3.60	3.80	3.50	5.59	5.04	5.04	
4	5.71	4.30	4.54	4.50	6.89	5.04	5.04	
6	7.05	5.71	5.21	6.63	8.23	8.66	8.66	0.28
8	8.03	6.70	5.80	8.63	9.21	8.66	8.66	0.95

Unit of measure = Inches

The information contained herein is believed to be reliable but is for guidance only. Brecco Distribution and its agents cannot assume liability for results obtained in the use of its products by the persons whose methods are outside or beyond our control. It is the user's responsibility to determine the suitability of any products, methods of use, or preparation prior to use, mentioned in our literature. It is the user's responsibility to observe and adapt such precautions as may be advisable for the protection of personnel and property in the handling and use of any of our products.

**Brecco Distribution Corp.**

77 N. 45th Avenue Ste #1 Phoenix, AZ. 85043

P: (800)543-4194 F: (602)484-9248

